

BIOMETRIX CPT

ANGIOGRAPHY/HEARTPACE MAKER PACKS

Biometrix's innovative and fully customized custom procedure trays comply with physician's specifications, ensuring the highest level of performance and reliability, during procedures at healthcare facilities and cath labs.

Committed to quality solutions, the tray includes the complete product portfolio of sterile single-use components, from precision devices to draping systems and accessories.

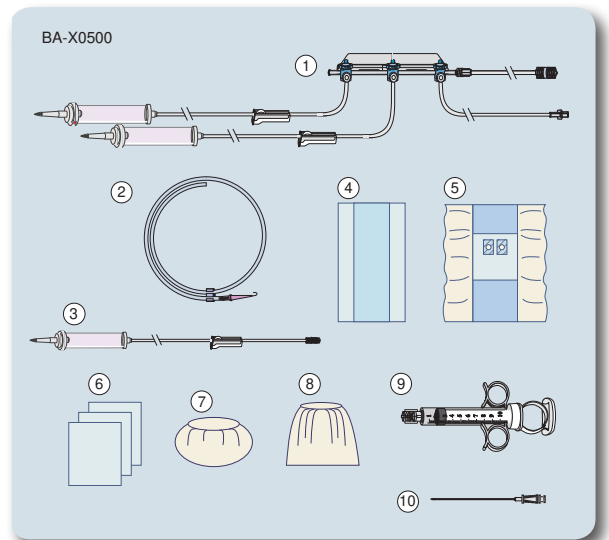
The tray enables you to offer immediate treatment in a completely sterile environment, addressing the major concerns of fluid control, infection, and patient and surgeon safety.

Custom Packs

Angiography Pack

Number	Bill of Materials	Qty.
1	3 Port Angio Manifold with Pressure Line and Rotator	1
2	Guidewire 0.035" x 150cm	1
3	Infuset Vented	1
4	Table Cover 137 x 150cm	1
5	Angio Drape 240 x 300cm with two sided PE clear film	1
6	Drape 50 x 60cm	3
7	Image Cover R-35	1
8	Protective Cover 80 x 110cm	1
9	12ml Finger Grip Syringe with Rotator	1
10	Introducer Needle 18Ga x 7cm	1

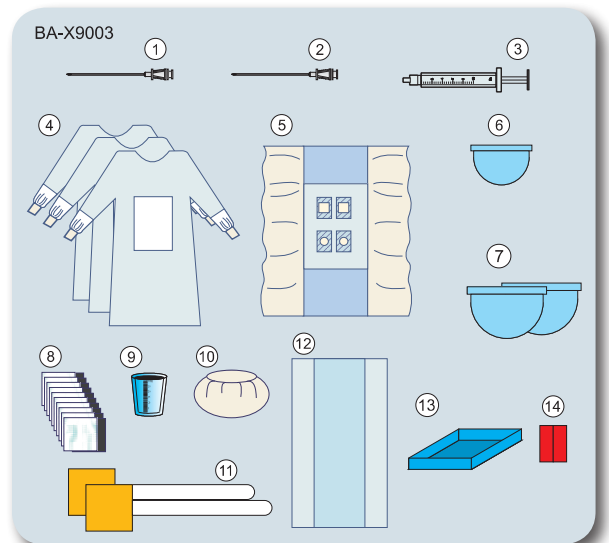
Qty/Box: 7



Heart Pacemaker Pack

Number	Bill of Materials	Qty.
1	Hypodermic Needle 21Ga	1
2	Hypodermic Needle 27Ga	1
3	10ml Syringe LL	1
4	Reinforced Gown XL	3
5	Heart Pacemaker Drape 236 x 355cm	1
6	Bowl 250ml	1
7	Bowl 500ml	2
8	Gauze 10 x 10cm	20
9	Cup 60ml	1
10	Image Cover R-65cm	1
11	Sponge Stick 8"	2
12	Table Cover 137 x 150cm	1
13	Tray 24 x 22 x 5cm	1
14	Needle Counter	1

Qty/Box: 8



Customized sets available

ANGIOGRAPHY/HEARTPACE MAKER PACKS

Drapes & Covers

Surgical Gowns

Code	Specifications	Material	Size
DY-2001	Reinforced	SMS	M
DY-2002	Reinforced	SMS	L
DY-2003	Reinforced	SMS	XL
DY-2004	Standard	SMS	M
DY-2005	Standard	SMS	L
DY-2006	Standard	SMS	XL
DY-2012	Reinforced	Sontara	L
DY-2013	Reinforced	Sontara	XL





Qty/Box: 25

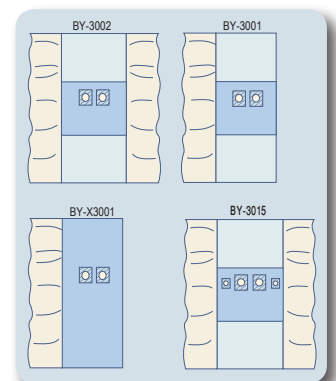


Reinforced Angiography Drape

Code	Description
BY-3001	220 X 300cm One Side Polyethylene Clear Film
BY-3002	240 x 300cm Two Sided Polyethylene Clear Film
BY-X3001	220 x 300cm One Side Polyethylene Clear Film (Full Absorbent)
BY-3015	280 x 300cm Radial Two Sided Polyethylene Clear Film

Qty/Box: 20

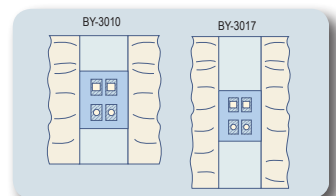
-  Polyethylene clear film
-  Reinforcement area
-  Fenestration area
-  Rectangle Adhesive area on fenestration area



Catheterization Heart Pacemaker Drape

Code	Description
BY-3010	240 x 300cm Heart Pacemaker Drape
BY-3017	236 x 355cm Heart Pacemaker Drape

Qty/Box: 20

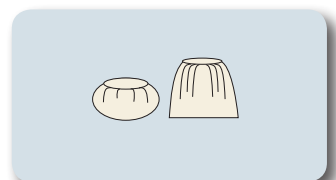


Equipment Covers

Code	Description
BY-1001	Image cover R-65 cm
BY-1002	Image cover R-35 cm
BY-1003	Image cover 100 x 100 cm
BY-2001	Protective cover 80 x 100 cm
BY-2002	Protective cover 100 x 100 cm
BY-2003	Protective cover 80 x 110 cm
BY-2004	Protective cover 120 x 120 cm
BY-2005	Keyboard cover 40 x 60 cm

Material: Clear 50 micron PE

Qty/Box: 50

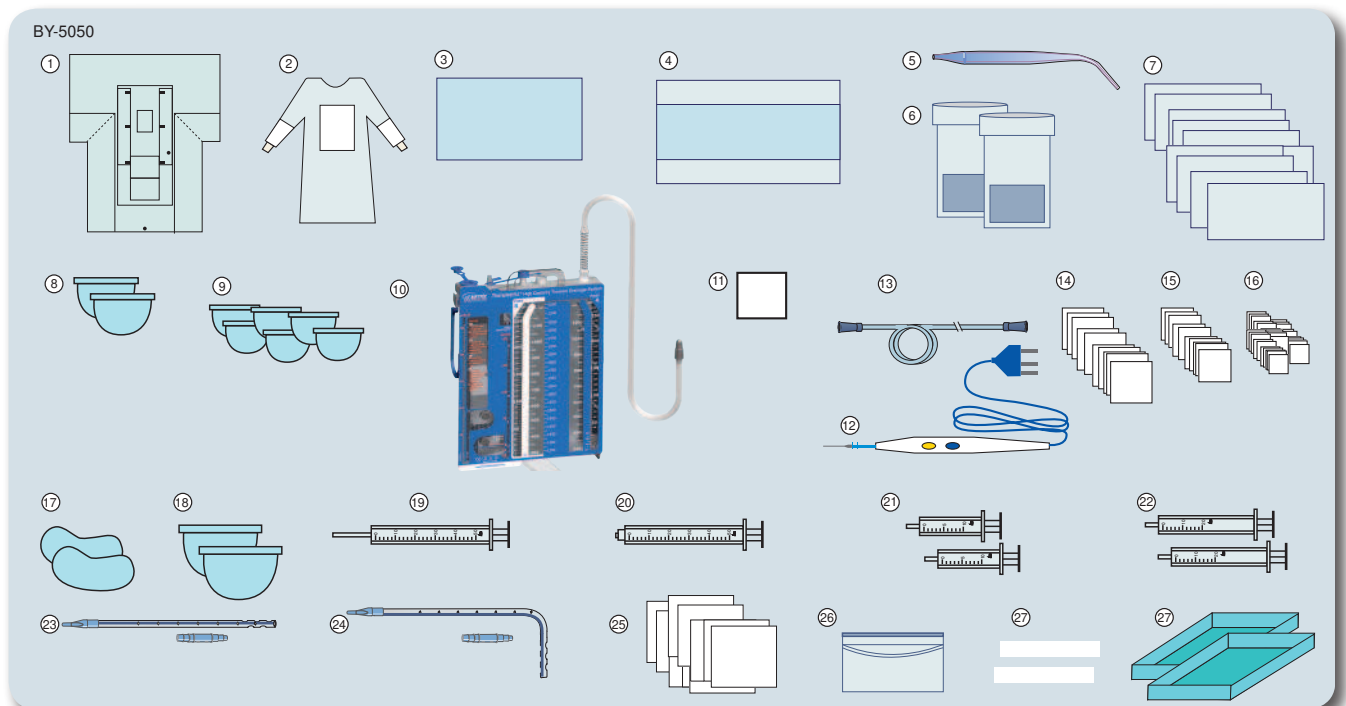


HEART SURGERY PACKS Adults

Heart Surgery Pack

Code	No.	Bill of Materials	Qty.
BY-5050	1	Heart Surgery Drape 274x320cm	1
	2	Reinforced Gown XL	1
	3	Reinforced Table Cover 137x180cm	1
	4	Table Cover 150x250cm	1
	5	Yankauer	1
	6	Mayo Cover 80 x 140 cm	2
	7	Drape 100x120cm	10
	8	Bowl 500cc	2
	9	Bowl 250cc	6
	10	High Capacity Chest Drainage System	1
	11	Tip Cleaner	1
	12	Suction Tube 350cm F/F	1
	13	Electrosurgical Pencil	1
	14	Lap Sponge 45x45cm X-Ray	10
	15	Lap Sponge 30x30cm X-Ray	10
	16	Gauze Sponge 10x10cm X-Ray	30
	17	Emesis Basin 700cc	2
	18	Bowl 1500cc	2
	19	Irrigation Syringe 50cc	1
	20	Syringe 50cc LL	1
	21	Syringe 10cc L	2
	22	Syringe 20cc L	2
	23	Thoracic Catheter 32Fr Straight	1
	24	Thoracic Catheter 32Fr Right Angle	1
	25	Cotton Towels	10
	26	Waste Bag 50 x 60	1
	27	OP Tape 10x50	2
	28	Tray	2

Qty/Box 1

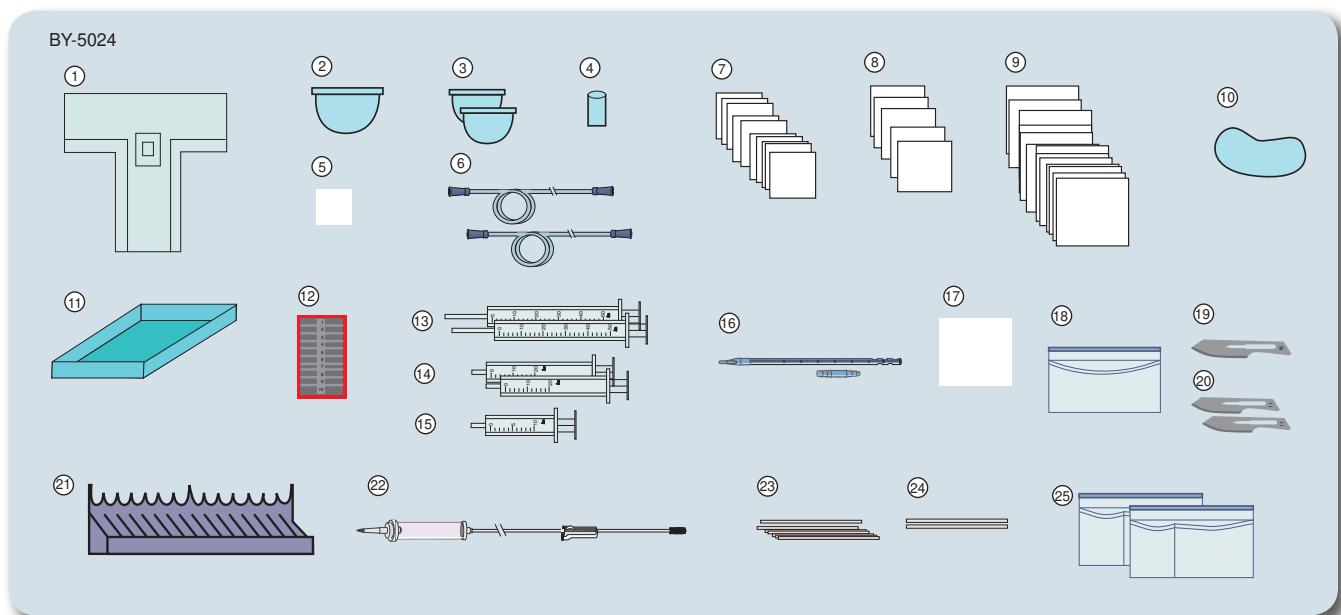


HEART SURGERY PACKS Pediatrics

Heart Surgery Pack

Code	No.	Bill of Materials	Qty.
BY-5024	1	Heart Surgery Drape 270x310cm Pediatric	1
	2	Bowl 1000cc	1
	3	Bowl 250cc	2
	4	Cup 100cc	1
	5	Tip Cleaner	1
	6	Suction Tube F/F 300cm	2
	7	Lap Sponge 30X30-4 X-Ray	10
	8	Gauze Sponge 10x10cm 12ply	5
	9	Gauze 10X10cm X-Ray 12Ply	20
	10	Emesis Basin 700cc	1
	11	Tray	1
	12	Needle Counter	1
	13	Syringe 50cc Irrigation	2
	14	Syringe 20cc Luer (B/D)	2
	15	Syringe 10cc Luer	1
	16	Thoracic Catheter 20Fr Straight with Connector	1
	17	Hand Towel	1
	18	Waste Bag 50x60cm	1
	19	Blade #15	1
	20	Blade #11	2
	21	Instruments Organizer	1
	22	Infusion Set Vented	1
	23	Snars 8Fr	7
	24	Snars 12Fr	2
	25	Diathermy Pouch 35X43cm	2

Qty/Box: 5

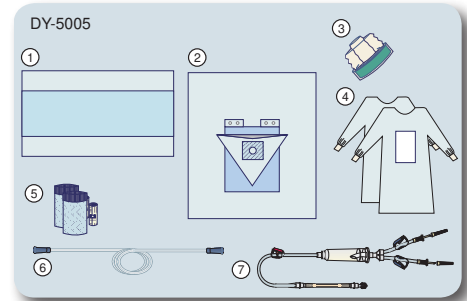


ORTHOPEDIC PACKS

Arthroscopy Pack

Code	No.	Bill of Materials	Qty.
DY-5005	1	Table Cover 100 x 137cm	1
	2	Arthroscopy Drape 228 x 300cm	1
	3	Camera Cover 15 x 236cm	1
	4	Reinforced Gown, Large	2
	5	Stockinette 30 x 60cm with Elastic Band	2
	6	3.0m Suction Tube F/F	1
	7	Arthroscopy Large Bore Irrigation Set	1

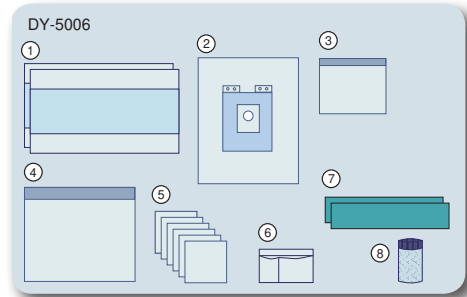
Qty/Box: 9



Extremity Pack

Code	No.	Bill of Materials	Qty.
DY-5006	1	Table Cover 137 x 180cm	2
	2	Extremity Drape 228 x 300cm	1
	3	Drape 100 x 120 with Adhesive Strip	1
	4	Foot Drape 170 x 200cm with Adhesive Strip	1
	5	Hand Towel 40 x 40cm	6
	6	Diathermy Pouch 35 x 43cm	1
	7	O.P. Tape 50 x 10cm	2
	8	Stockinette 40 x 100 cm with O.P. Tape	1

Qty/Box: 6

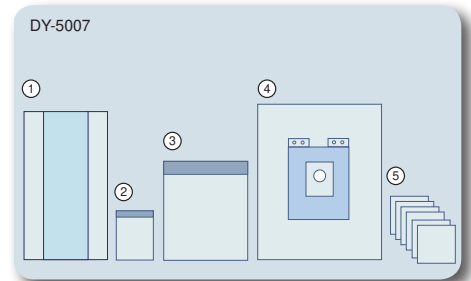


ORTHOPEDIC PACKS

Foot Pack

Code	No.	Bill of Materials	Qty.
DY-5007	1	Table Cover 137 x 180cm	1
	2	Side Drape 75 x 100cm	1
	3	Foot Drape 170 x 200cm with Adhesive Strip	1
	4	Extremity Drape 228 x 300cm	1
	5	Hand Towel	6

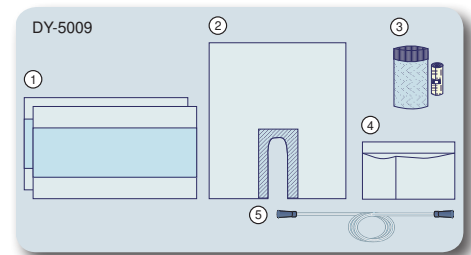
Qty/Box: 10



Total Hip Replacement Pack

Code	No.	Bill of Materials	Qty.
DY-5009	1	Table Cover 100 x 137cm	2
	2	U Drape 220 x 250cm	1
	3	Stockinette 30 x 60cm with Elastic Band	1
	4	Diathermy Pouch 35 x 43cm	1
	5	3.0m Suction Tube F/F	1

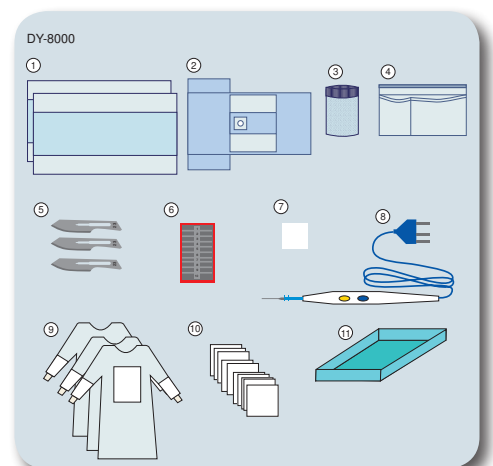
Qty/Box: 9



Total Hip Pack

Code	No.	Bill of Materials	Qty.
DY-8000	1	Table Cover 150 x 250cm	2
	2	Hip Drape with Pouches	1
	3	Stockinette 40 x 100cm with O.P. Tape	1
	4	Diathermy Pouch 35 x 43cm	1
	5	Blade #23	3
	6	Needle Counter	1
	7	Tip Cleaner	1
	8	Electrosurgical Pencil	1
	9	Gown Reinforced XL	3
	10	Lap Sponge 45x45-4 X-Ray	10
	11	Tray	1

Qty/Box: 3

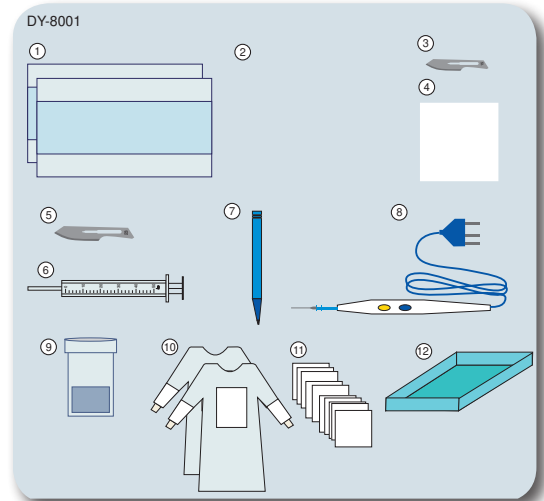


ORTHOPEDIC PACKS

Vertical Pack

Code	No.	Bill of Materials	Qty.
DY-8001	1	Table Cover 150 x 250cm	2
	2	Vertical Drape 320x245cm	1
	3	Blade #15	1
	4	Drape 90x100cm	1
	5	Blade #23	1
	6	Syringe 50cc Irrigation	1
	7	Skin Marker	1
	8	Electrosurgical Pencil	1
	9	Mayo Cover 80 x 140 cm	1
	10	Gown Reinforced XL	2
	11	Lap Sponge 45x45-4 X-Ray	10
	12	Tray	1

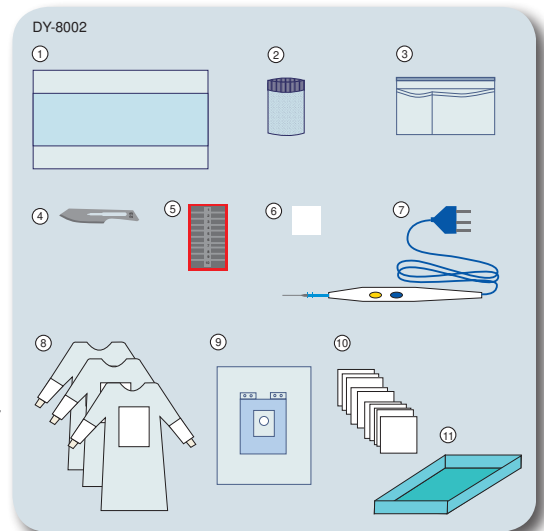
Qty/Box: 4



Total Knee Pack

Code	No.	Bill of Materials	Qty.
DY-8002	1	Table Cover 150 x 250cm	2
	2	Stockinette 30 x 60 cm with Elastic Band	1
	3	Diathermy Pouch	1
	4	Blade #23	1
	5	Needle Counter	1
	6	Tip Cleaner	1
	7	Electrosurgical Pencil	1
	8	Gown Reinforced XL	3
	9	Extremity Drape 228x300cm	1
	10	Lap Sponge 45x45-4 X-Ray	10
	11	Tray	1

Qty/Box: 4

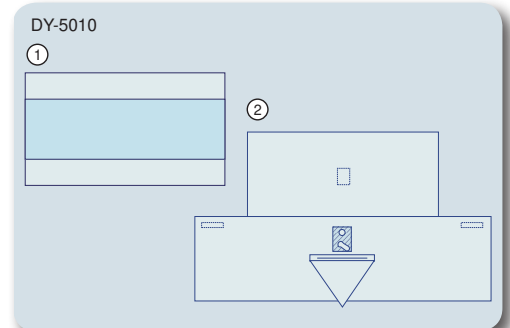


UROLOGY PACKS

TUR Pack

Code	No.	Bill of Materials	Qty.
DY-5010	1	Table Cover 137 x 150cm	1
	2	TUR Drape 180 x 240cm	1

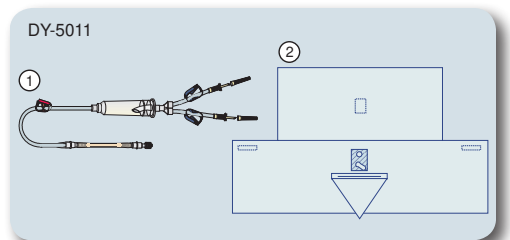
Qty/Box: 16



Urology Pack

Code	No.	Bill of Materials	Qty.
DY-5011	1	TUR Irrigation Set	1
	2	TUR Drape 180 x 240cm	1

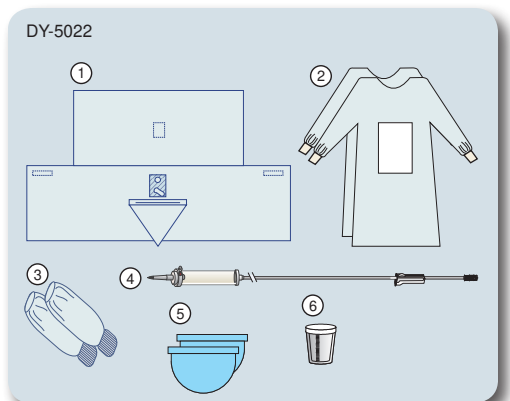
Qty/Box: 9



Lithiasis Pack

Code	No.	Bill of Materials	Qty.
DY-5022	1	TUR Drape 180 x 240cm	1
	2	Reinforced Gown, Medium	2
	3	Arm Sleeve 25 x 50cm	2
	4	Infusion Set Vented	1
	5	Bowl 250cc	2
	6	Cup 60cc	1

Qty/Box: 9

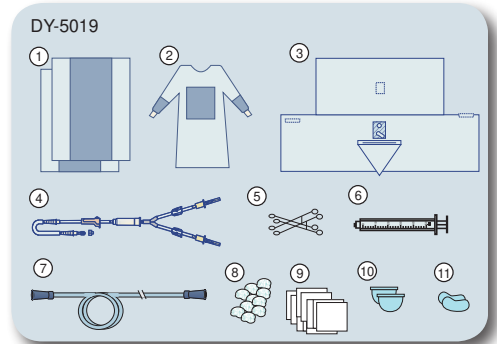


UROLOGY PACKS

TUR Pack

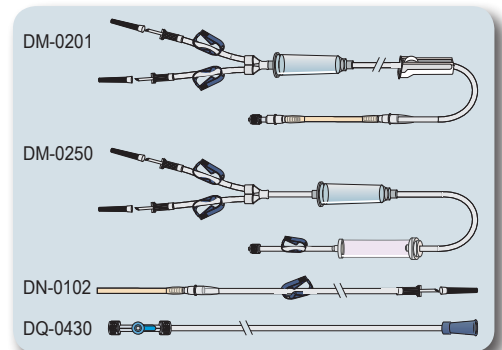
Code	.No	Bill of Materials	Qty.
DY-5019	1	Table Cover 100 x 137cm	2
	2	Reinforced Gown "XL"	2
	3	TUR Drape 180 x 240cm	1
	4	TUR Irrigation Set	1
	5	Forceps	2
	6	20cc Syringe Luer F/F.	1
	7	300cm Suction Set	1
	8	Gauze Ball 45mm	10
	9	Gauze Sponge 10 x 10cm	10
	10	Bowl 250cc	2
	11	Emesis Basin 700cc	2

Qty/Box: 4



TUR Irrigation Sets

Code	Description	Qty/Box
DM-0201	Double-Lead TUR	50
DM-0250	Ureteroscopy Irrigation System	30
DN-0102	Single-Lead TUR	25
DQ-0430	Urethral Drain Adaptor	100

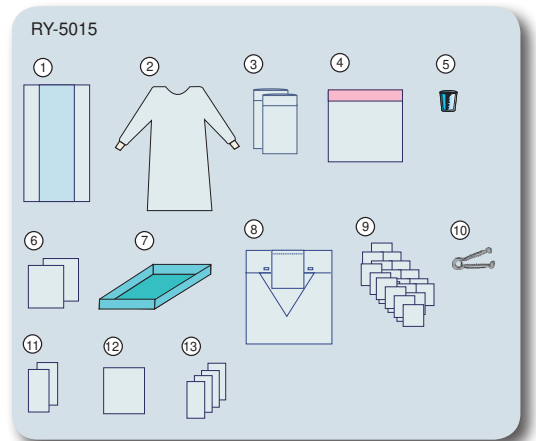


OBSTETRICS GYNECOLOGICAL PACKS

Delivery Packs

Code	No.	Bill of Materials	Qty.
RY-5015	1	Table Cover 137x150cm	1
	2	Standard Gown XL	1
	3	Legging 45x100cm	2
	4	Drape 50x75cm with Adhesive Strip	1
	5	Cup 100cc	1
	6	Drape 50x60cm	2
	7	Tray	1
	8	Under Buttocks Drape	1
	9	Gauze Sponge 10x10cm	20
	10	Umbilical Cord Clamp	1
	11	Hand Towel	2
	12	Baby Towel	1
	13	Absorbent Pad	4

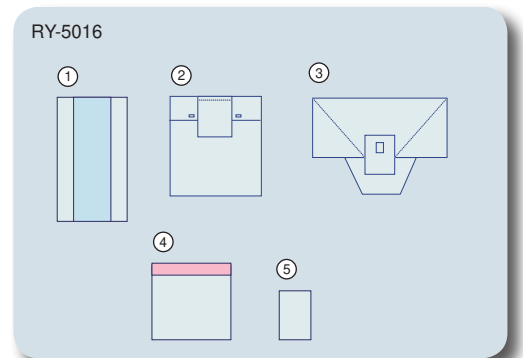
Qty/Box: 10



Gynecological Pack

Code	No.	Bill of Materials	Qty.
RY-5016	1	Table Cover 137x180cm	1
	2	Under Buttocks Drape	1
	3	Lithotomy Drape	1
	4	Hand Towel	1
	5	Absorbent Drape 50x50cm with Adhesive Strip	1

Qty/Box: 8

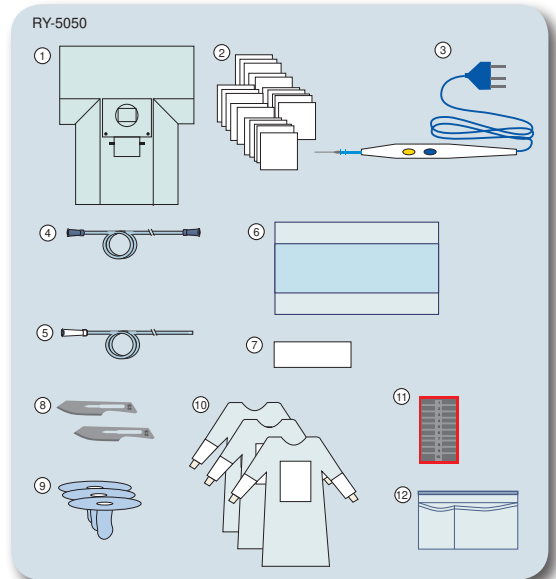


OBSTETRICS GYNECOLOGICAL PACKS

C-Section Packs

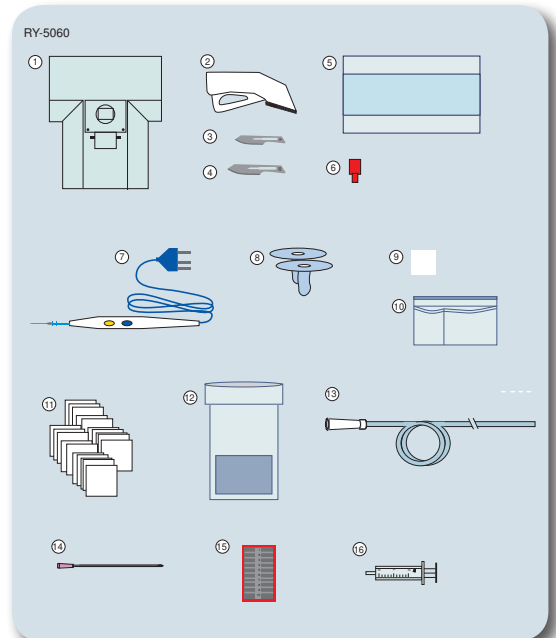
Code	No.	Bill of Materials	Qty.
RY-5050	1	C-Section Drape	1
	2	Lap Sponge 45x45 X-Ray	20
	3	Electrosurgical Pencil	1
	4	Suction Tube 300cm F/F	1
	5	Suction Catheter 12Fr	1
	6	Table Cover 137x100cm	1
	7	Dressing	1
	8	Blade #23	2
	9	Light Handle Cover	3
	10	Reinforced Gown XL	3
	11	Needle Counter	1
	12	Diathermy Pouch 35 x 43 cm	1

Qty/Box: 4



Code	No.	Bill of Materials	Qty.
RY-5060	1	C-Section Drape	1
	2	Skin Stapler	1
	3	Blade #10	1
	4	Blade #20	1
	5	Table Cover 150x250cm	1
	6	Combi Stopper Red	1
	7	Electrosurgical Pencil	1
	8	Light Handle Cover	2
	9	Tip Cleaner	1
	10	Diathermy Pouch 35 x 43 cm	1
	11	Lap Sponge 45x45 X-Ray	20
	12	Mayo Cover 80 x 140 cm	1
	13	Suction Tube 200cm with Poole Suction Unit	1
	14	Hypodermic Needle 18Gax1.5"	1
	15	Needle Counter	1
	16	Syringe 2cc L	1

Qty/Box: 5

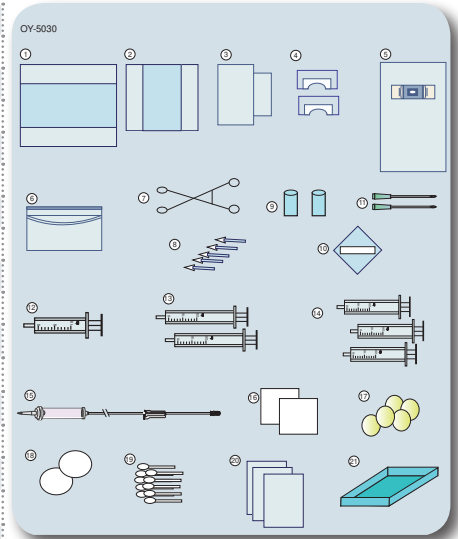


OPHTHALMIC PACKS

Retina Pack

Code	No.	Bill of Materials	Qty.
OY-5030	1	Table Cover 137 x 180cm	1
	2	Table Cover 100 x 137cm	1
	3	Chair Cover 35 x 60 cm	1
	4	Ophthalmic Drape 20 x 39cm Clear	2
	5	Ophthalmic Drape 150 x 250cm with 2 Pouches	1
	6	Diathery Pouch 35 x 43	1
	7	Sponge Forceps Round Tip	1
	8	Eye Spears	5
	9	Cup 30cc	2
	10	Tube Holder	1
	11	Hypodermic Needle 21Ga x 1.5	2
	12	Syringe 1cc Luer	1
	13	Syringe 5cc Luer	2
	14	Syringe 2cc Luer	3
	15	Infusion Set Vented	1
	16	Hand Towel 40 x 40	2
	17	Gauze Ball 45mm	5
	18	Oval Opt Pad 8 x 6cm	2
	19	Cotton Applicator 15L cm	10
	20	LDPE Bag 0/04mic 25 x 40	3
	21	Deep Tray 24 x 11 x 5cm	1

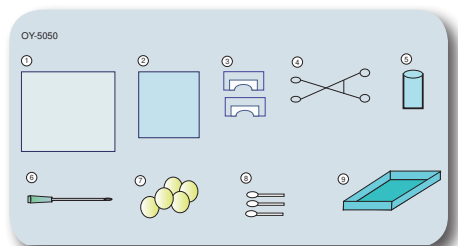
Qty/Box: 10



Avastin Pack

Code	No.	Bill of Materials	Qty.
OY-5050	1	Table Cover 75 x 75cm	1
	2	Drape Cover 50 x 60cm	1
	3	Ophthalmic Drape 20 x 39cm Clear	2
	4	Sponge Forceps Round Tip	1
	5	Cup 30cc	1
	6	Hypodermic Needle 30Ga x 0.5"	1
	7	Gauze Ball 45mm	5
	8	Cotton Applicator 15L cm	3
	9	Deep Tray 24 x 11 x 5cm	1

Qty/Box: 10

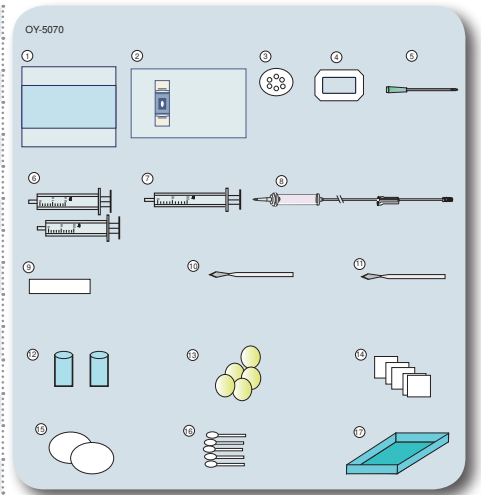


OPHTHALMIC PACKS

Ophthalmic Pack

Code	No.	Bill of Materials	Qty.
OY-5070	1	Table Cover 137 x 150cm	1
	2	Ophthalmic Drape 150 x 250cm with 2 Pouches	1
	3	Eye Plastic Shield	1
	4	Dressing Tegaderm 10 x 12cm	1
	5	Hypodermic Needle 25Ga x 5/8"	1
	6	Syringe 2.5cc Luer	2
	7	Syringe 5cc Luer	1
	8	Infusion Set Vented	1
	9	Tube Holder	1
	10	Ophthalmic Knife MVR Angled 20Ga	1
	11	Ophthalmic Knife Slit Angled 2.4mm	1
	12	Cup 100cc	2
	13	Gauze Ball 45mm	5
	14	Gauze 7.5 x 7.5cm	5
	15	Oval Opt Pad 8 x 6cm	2
	16	Gauze Applicator	5
	17	Deep Tray 24 x 11 x 5cm	1

Qty/Box: 10

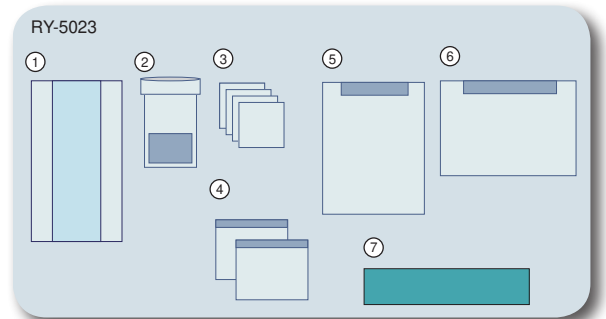


GENERAL SURGERY PACKS

Universal Pack

Code	No.	Bill of Materials	Qty.
RY-5023	1	Table Cover 150 x 250cm	1
	2	Mayo Cover 80 x 140cm	1
	3	Hand Towels	4
	4	Side Drapes 75 x 100cm	2
	5	Foot Drape 170 x 200cm	1
	6	Head Drape 240 x 150cm	1
	7	O.P. Tape 10 x 50cm	1

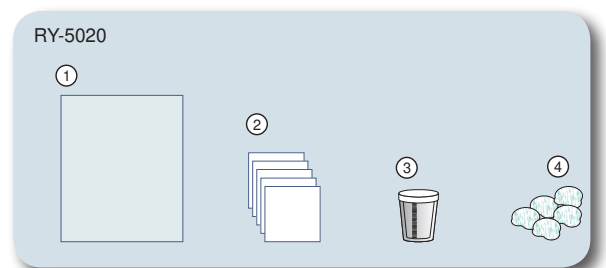
Qty/Box: 10



Minor Surgery Pack

Code	No.	Bill of Materials	Qty.
RY-5020	1	Drape 50 x 60cm	1
	2	Gauze Sponge 7.5 x 7.5cm	5
	3	Cup 60cc	1
	4	Cotton Wool Ball	5

Qty/Box: 25

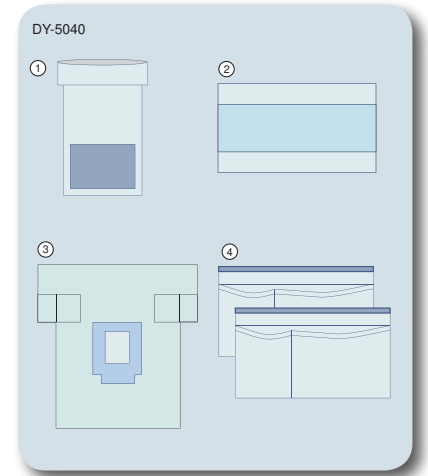


GENERAL SURGERY PACKS

Laparotomy Kit

Code	No.	Bill of Materials	Qty.
DY-5040	1	Mayo Cover 80X140cm	1
	2	Table Cover 150X250cm	1
	3	Laparotomy Drape with Steridrape	1
	4	Diathermy Pouch 45X50cm	2

Qty/Box: 5



Abdominal Lithotomy Kit

Code	No.	Bill of Materials	Qty.
DY-5041	1	Mayo Cover 80X140cm	1
	2	Table Cover 150X250cm	1
	3	Drape 50x50cm with 5cm adhesive strip	1
	4	Abdominal Lithotomy Drape with Steridrape	1
	5	Diathermy Pouch 45X50cm	2

Qty/Box: 5

